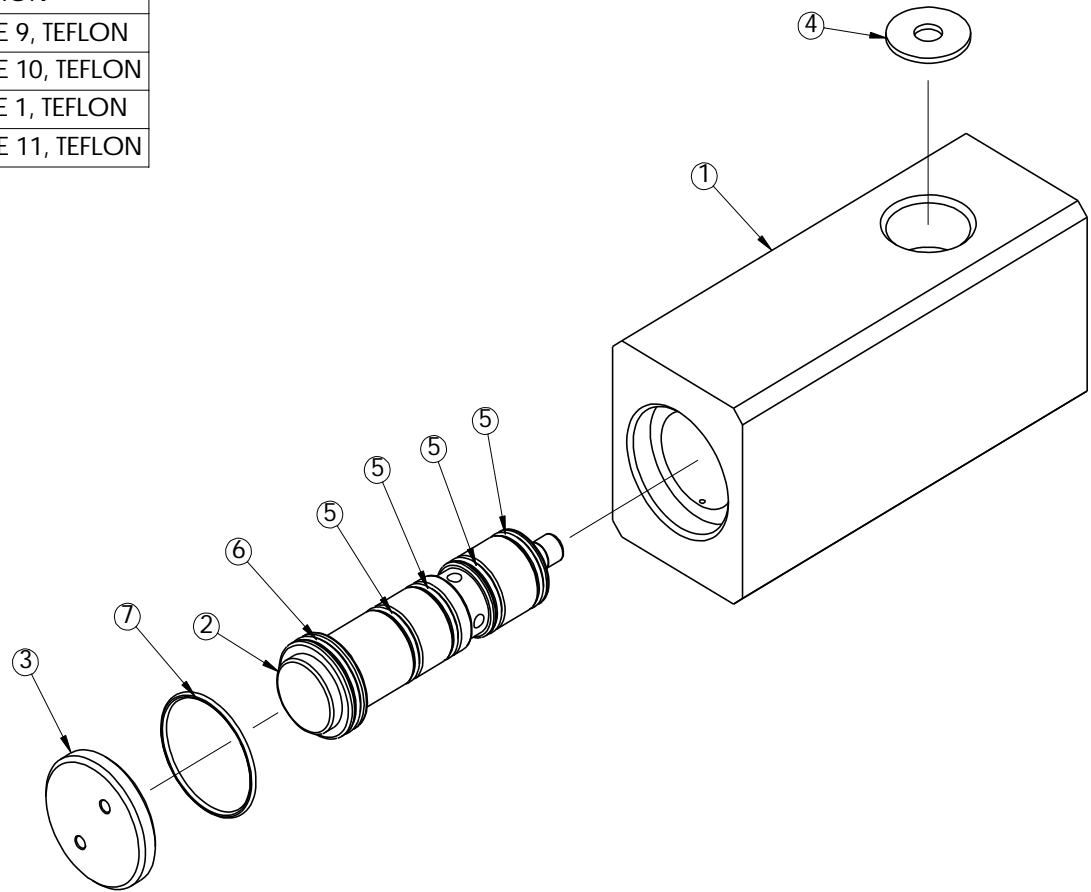


DILUTION RATIO	PART NUMBER	DESCRIPTION
2:1	VDSK09Z-T	VALVE DISK, STYLE 9, TEFLON
6:1	VDSK10Z-T	VALVE DISK, STYLE 10, TEFLON
10:1	VDSK01Z-T	VALVE DISK, STYLE 1, TEFLON
20:1	VDSK11Z-T	VALVE DISK, STYLE 11, TEFLON



NOTE: LUBRICANT TO BE USED IS FEL-PRO 51360 SILICONE LUBRICANT

ITEM	PART NUMBER	DESCRIPTION	QTY
1	VBDY07Z-T	VALVE BODY, STYLE 7 TEFLON,	1
2	VPST03Z-T	VALVE PISTON, STYLE 3, TEFLON	1
3	VENC02Z-B	VALVE END CAP, STYLE 2, PVDF	1
4	SEE TABLE	VALVE DISK, STYLE XX, TEFLON	1
5	HR01-A018-VT	VITON AS568A-018 O-RING	4
6	HR01-A022-VT	VITON AS568A-022 O-RING	1
7	HR01-A124-VT	VITON AS568A-124 O-RING	1

TOLERANCES UNLESS OTHERWISE SPECIFIED		<b>DYTEC</b>		102 COMPASS PT. DR. STE. D. ST. CHARLES, MO. 63301-4414 (636) 949-5600	
ADV-XX12P-TFE-V VALVE ASSEMBLY					
APPROVAL		DRWN	MPJ	DATE	SCALE
ENG	DATE	BY		01/12/02	1=1
ALL DIMENSIONS ARE IN INCHES		SHEET	1 OF 1	41	0002336
QA	DATE	CHKD	By	30	00
PATH = E:\CC\DYTEC\ADVXX12AC.SLDRAW					