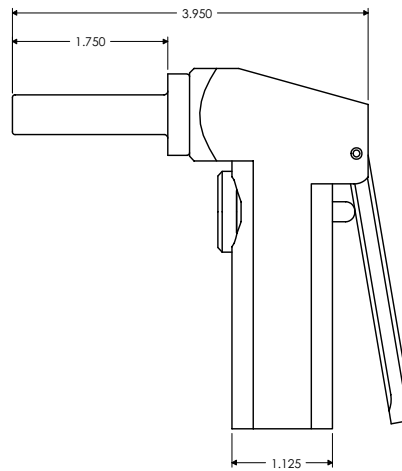
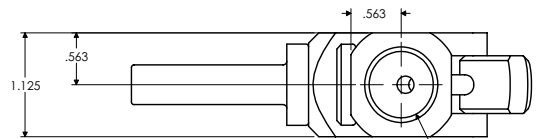


FRONT VIEW



SIDE VIEW



BOTTOM VIEW

PART	MATERIAL
BODY	VIRGIN PTFE
ACTUATOR	PVDF
ACTUATOR CAP	POLYPROPYLENE
NOZZLE	PTFE
HANDLE	POLYPROPYLENE
HANDLE DOWEL PIN	18-8 STAINLESS STEEL
SPRING	302 SS, TEFLON COATED
O-RINGS	VITON

SPECIFICATIONS	
FLOW RATE - GPM @ 20PSI	1.3
MAX PRESSURE - PSIG (kPa)	75 (517)
MAX TEMPERATURE - MEDIA°F (°C)	160 (71)

O-RINGS	QTY
AS568A-009	1
AS568A-012	1
AS568A-114	1

TOLERANCES UNLESS OTHERWISE SPECIFIED	DYTEC 102 COMPASS PT., DR. STE. D. ST. CHARLES, MO. 63301-4414 (636) 949-5600		THG-LD8P-TFE-V TEFLON LIQUID DISPENSE GUN PHYSICAL DIMENSIONS						
			APPROVAL	BY	MPJ	DATE	03/31/03	SCALE	1=1
	ALL DIMENSIONS ARE IN INCHES	ENG	DATE	SHEET	1 OF 1	44	0002436	30	00
PATH: H:\C\C\DYTEC\THG-LD8P-TFE-V\PHYSICAL.DDROW									