

TEFLON® DI RECIRCULATING SPRAY GUN

- ◆ ONE PIECE VIRGIN PTFE BODY
- ◆ HIGH PURITY FLUID PATH
- ◆ NO O-RINGS TO ALLOW CONTAMINATION
- ◆ FLUID RECIRCULATES WHEN NOT IN USE, FLOWING BACK DOWN A PARALLEL PATH TO VIRTUALLY ELIMINATE BACTERIA BUILDUP IN THE GUN
- ◆ EXCELLENT FOR ACIDIC OR CORROSIVE ENVIRONMENTS
- ◆ COMFORTABLE HANDLE DESIGN

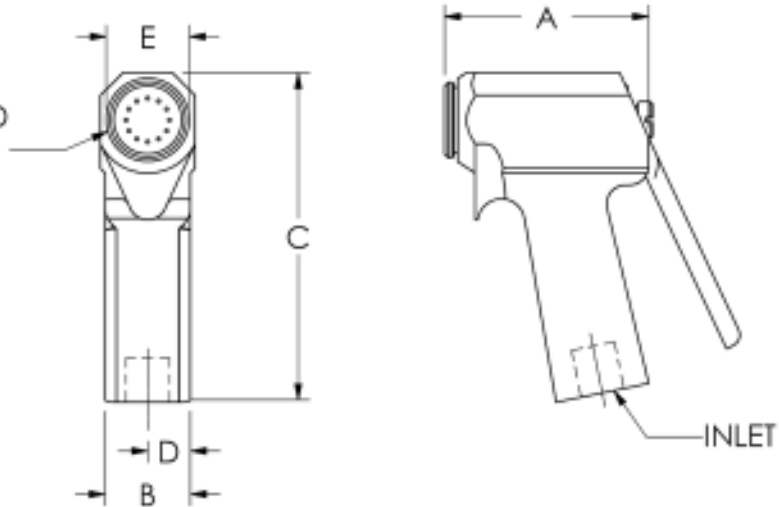


SPECIFICATIONS

| Hose Fitting Size | 3/8" | 1/2" |
|---------------------------------|----------|----------|
| Flow Rate – GPM (at 40 PSI) | 3.0 | 3.0 |
| Max Pressure – PSIG (kPa) | 75 (517) | 75 (517) |
| Max Temperature – Media °F (°C) | 160 (71) | 160 (71) |

| | | | |
|-------------------|---------------|-----------|------------------------|
| Body | Virgin PTFE | Nozzle | PTFE |
| Handle | Polypropylene | Diaphragm | PTFE |
| Actuator Assembly | Polypropylene | Spring | 302 SS, Teflon® Coated |

DISPERSION SPRAY HEAD
WITH 12 EQUALLY SPACED
HOLES



| SIZE | A | B | C | D | E | INLET |
|------|------|------|------|------|------|----------|
| 3/8" | 2.75 | 1.10 | 4.55 | 0.55 | 0.99 | 3/8 FNPT |
| 1/2" | 2.75 | 1.10 | 4.55 | 0.55 | 0.99 | 1/2 FNPT |

Specifications subject to change without notice.

All dimensions are in inches.

ORDERING INFORMATION

THG DR X P TFE XXXX

OPTIONS: #### - Non-Standard Options (Consult Factory)

BODY MATERIAL: PTFE

CONNECTION TYPE: FNPT

CONNECTION SIZE: 6 - 3/8"
8 - 1/2"

DI SPRAY GUN - RECIRCULATING

TEFLON® HAND GUN

® Teflon is a registered trademark of the Dupont Corporation.

LS-DTDR01-01

DYTEC
CORPORATION

102 Compass Point Dr., Suite D
St. Charles, MO 63301
636-949-5600 Fax: 636-724-2492
www.dytec.com